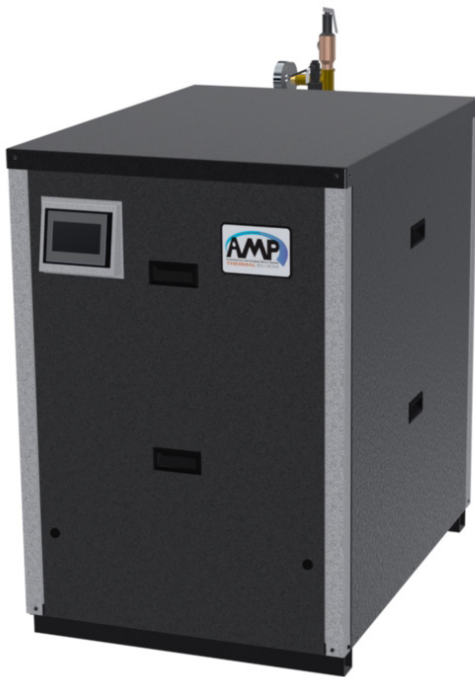




SPARE PARTS MANUAL

399-1000 MBH



Water Heater Models	Boiler Models
AMPW 400	AMP 400
AMPW 500	AMP 500
AMPW 650	AMP 650
AMPW 800	AMP 800
AMPW 1000L	AMP 1000L



Intertek



Intertek

⚠ WARNING

Asphyxiation Hazard. Fire Hazard. Explosion Hazard.

This appliance must be installed, serviced or repaired by a skilled and experienced service technician. Improper installation, adjustment, alteration, service or maintenance can cause severe personal injury, death, or substantial property damage. Read and understand these instructions and entire boiler manual before attempting to service boiler. Up to date boiler manual is posted on manufacturer's website.

⚠ DANGER

Explosion Hazard. Electrical Shock Hazard. Burn Hazard.

Flammable gas, high voltage electricity, moving parts, and very hot water under high pressure. Assume that all gas and electric power supplies are off and that water temperature is cool before attempting any disassembly or service. Do not rely solely on temperature/pressure gauge to make this determination.

NOTICE

The replacement parts noted in this manual are for a standard AMP series appliance. Different features or components may have been supplied based on the requests of the customer. Consult Thermal Solutions for repair parts on non-standard controls and components.

Repair parts can be ordered through your local Thermal Solutions Representative.

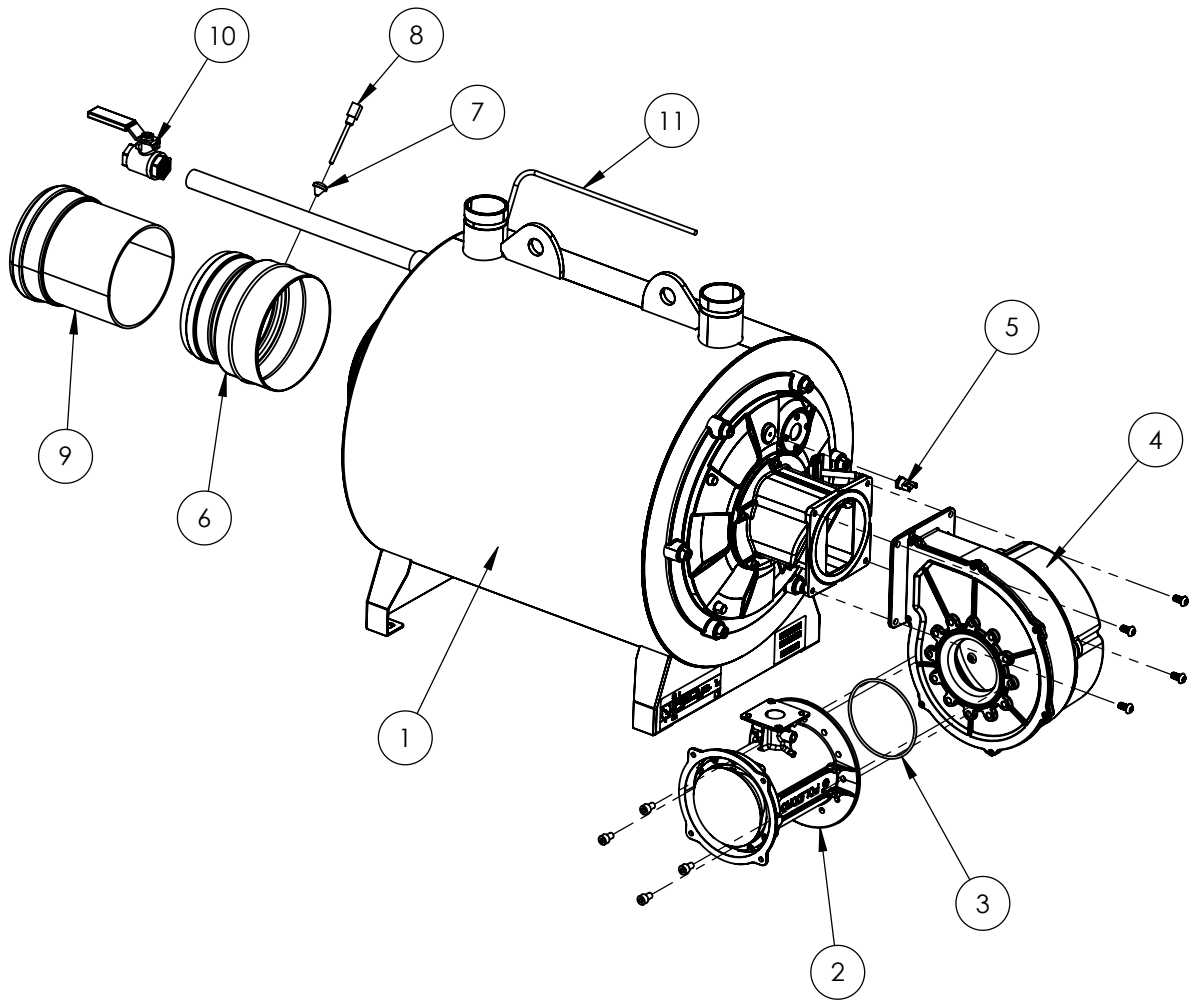


Table 1: AMP 400-1000L Heat Exchanger Assembly Part Numbers

Item No.	Descriptions	AMP Model Size				
		400	500	650	800	1000L
1	Heat Exchanger	Contact Local Representative				
2	Mixer, NG (With Bolts, O-ring, Gaskets)	111545-01	111545-02	111545-03	111545-04	111545-05
	Mixer, LP (With Bolts, O-ring, Gaskets)	111544-01	111544-02	111544-03	111544-04	111544-05
3	Mixer O-ring	107694-01		110202-01		
4	Blower (With Bolts, O-ring, Gasket)	112056-01	112056-02	112056-03		112056-04
5	Thermal Fuse	112119-01				
6	HX Vent Adapter	109203-01		112083-05		
7	Flue Sensor Grommet	105997-01				
8	Flue Temp Sensor (with grommet)	112057-01				
9	Vent Adapter Extension	N/A		112083-03	112083-04	N/A
10	Drain Valve	112242-01 (Water Heater), 112242-02 (Boiler)				
11	Block Vent Switch Tubing (With Compression Fittings)	112122-01				
12*	HX Flue Adapter Gasket	104501-01		112132-01		

* Not shown in drawing

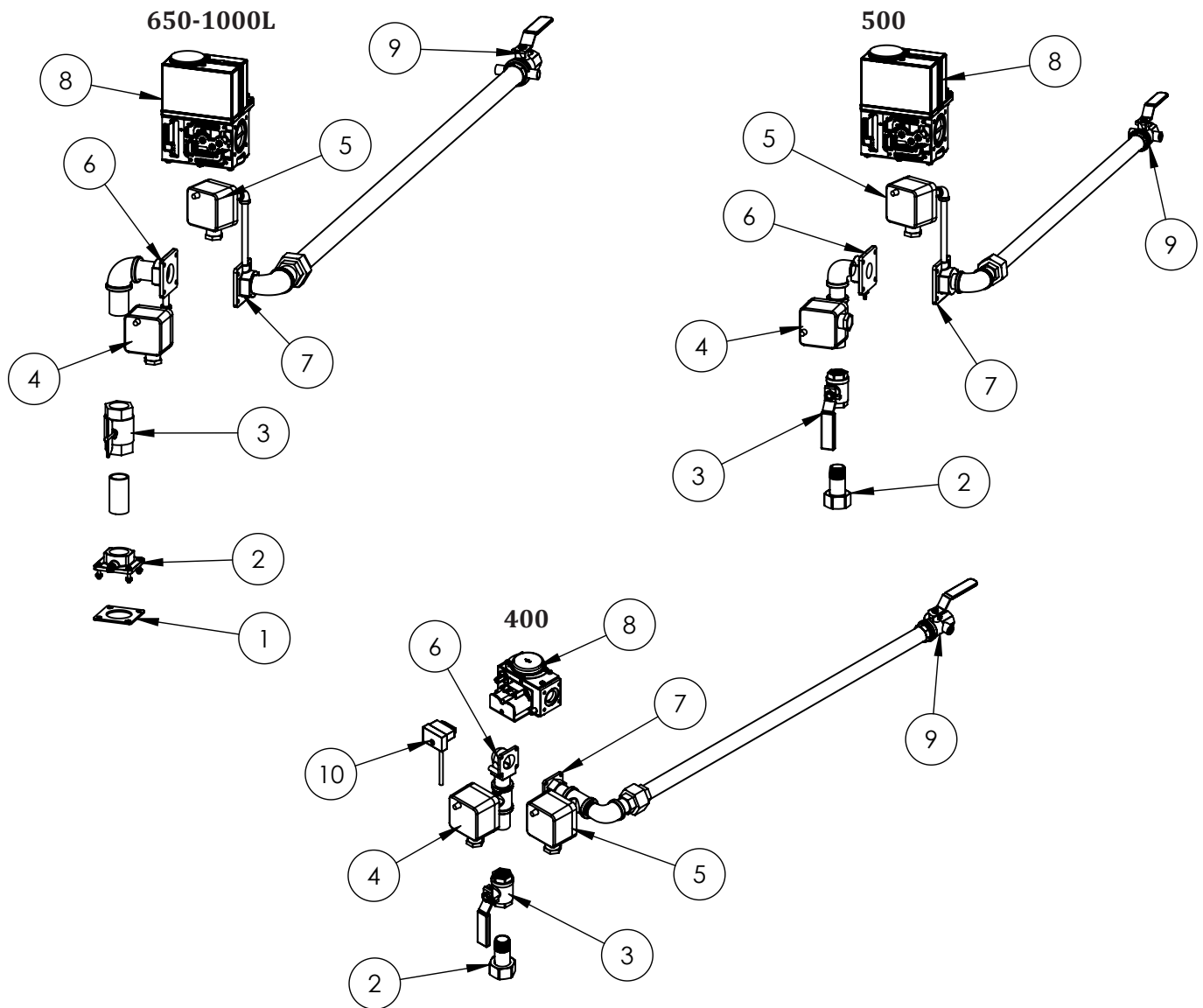


Table 2: AMP 400-1000L Gas Train Part Numbers

Item No.	Descriptions	AMP Model Size				
		400	500	650	800	1000L
1	Gasket, Gas Train to Mixer	108167-01				-
2	Mixer to NPT Adapter (With gasket and hardware)	108170-01		112069-01		112069-02
3	Ball Valve, Secondary Shut-off		112242-02			112242-03
4	High Gas Pres. SW			112067-01		
5	Low Gas Pres. SW			112067-02		
6	Gas Valve Flange, Outlet (with o-ring and hardware)	108103-01		112069-01		112069-02
7	Gas Valve Flange, Inlet (with o-ring and hardware)	108104-01	112069-01			112069-02
8	Gas Valve	112068-01	112068-02			112068-03
9	Ball Valve, Main Shutoff		112242-06			112242-04
10	Gas Valve Harness Plug	108880-01				N/A
11*	Tubing for Air Proving Switch and Gas Valve			112053-01		

* Not shown in drawing

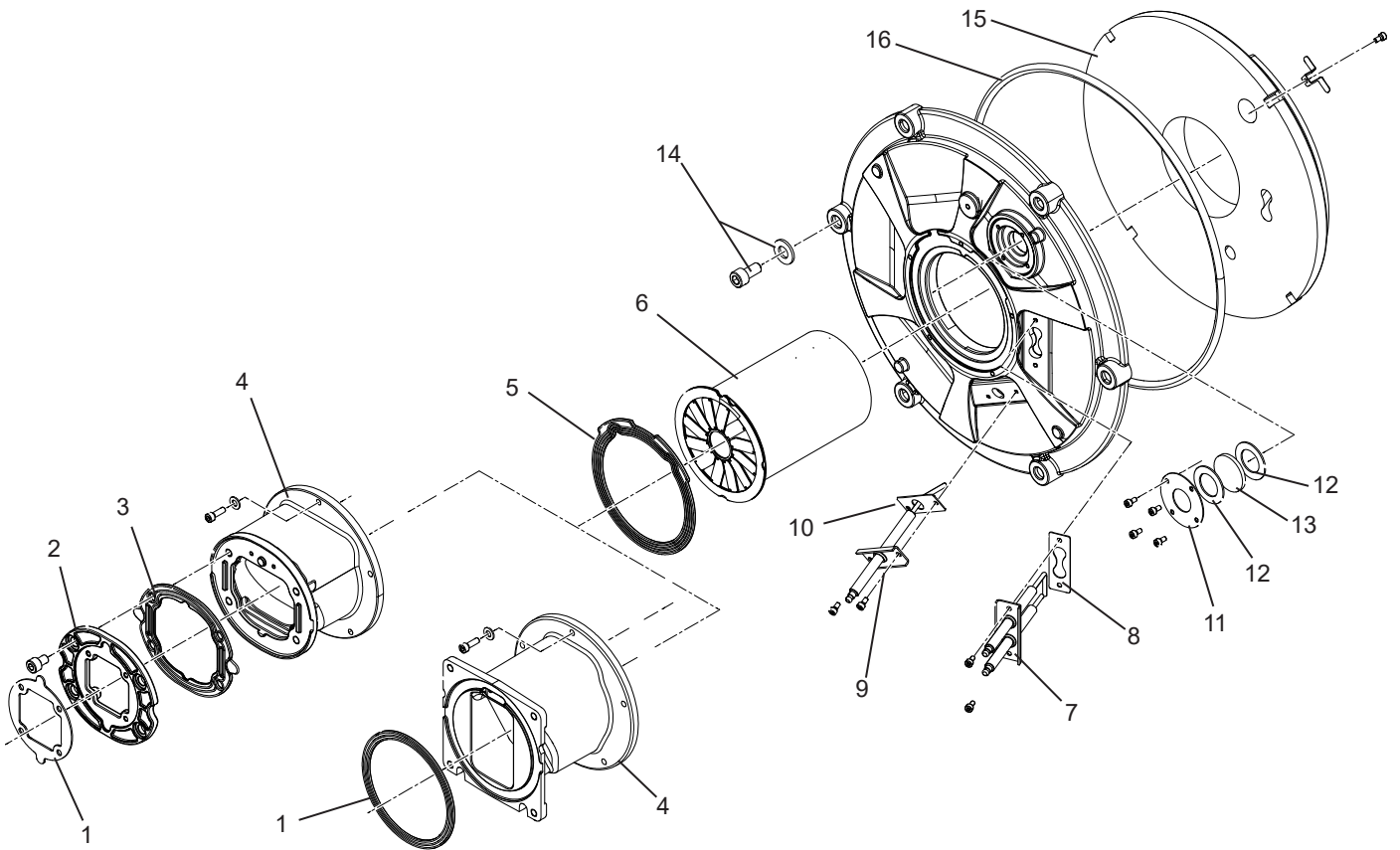


Table 3: AMP 400-1000L Burner Door Assembly Part Numbers

Item No.	Descriptions	AMP Model Size				
		400	500	650	800	1000L
1	Blower/Fan Outlet Gasket	112279-03		112279-04		
2	Blower Adapter	111346-03			N/A	
3	Blower Adapter Gasket	111346-04			N/A	
4	Blower Flange	111346-05			111346-06	
5	Burner Gasket	111346-07				
6	Burner (with gasket and screws)	112130-01	112130-02	112130-03	112130-04	112130-05
7	Ignition Electrode (with gasket and screws)	112131-01				
8	Ignition Electrode Gasket	108861-09				
9	Flame Sensor/Flame Rod (gasket and screws)	112131-02				
10	Flame Rod Gasket	111346-16				
11-13	Observation Port Assembly	112133-01				
14	Burner Door Screws (M10 X 16mm Stainless)	112134-03				
15	Burner Door Insulation	112134-01				
16	Burner Door Rope Gasket	111346-17				
17*	HX Divider Insulation (with clips and screws)	112134-02				

*Not shown in drawing

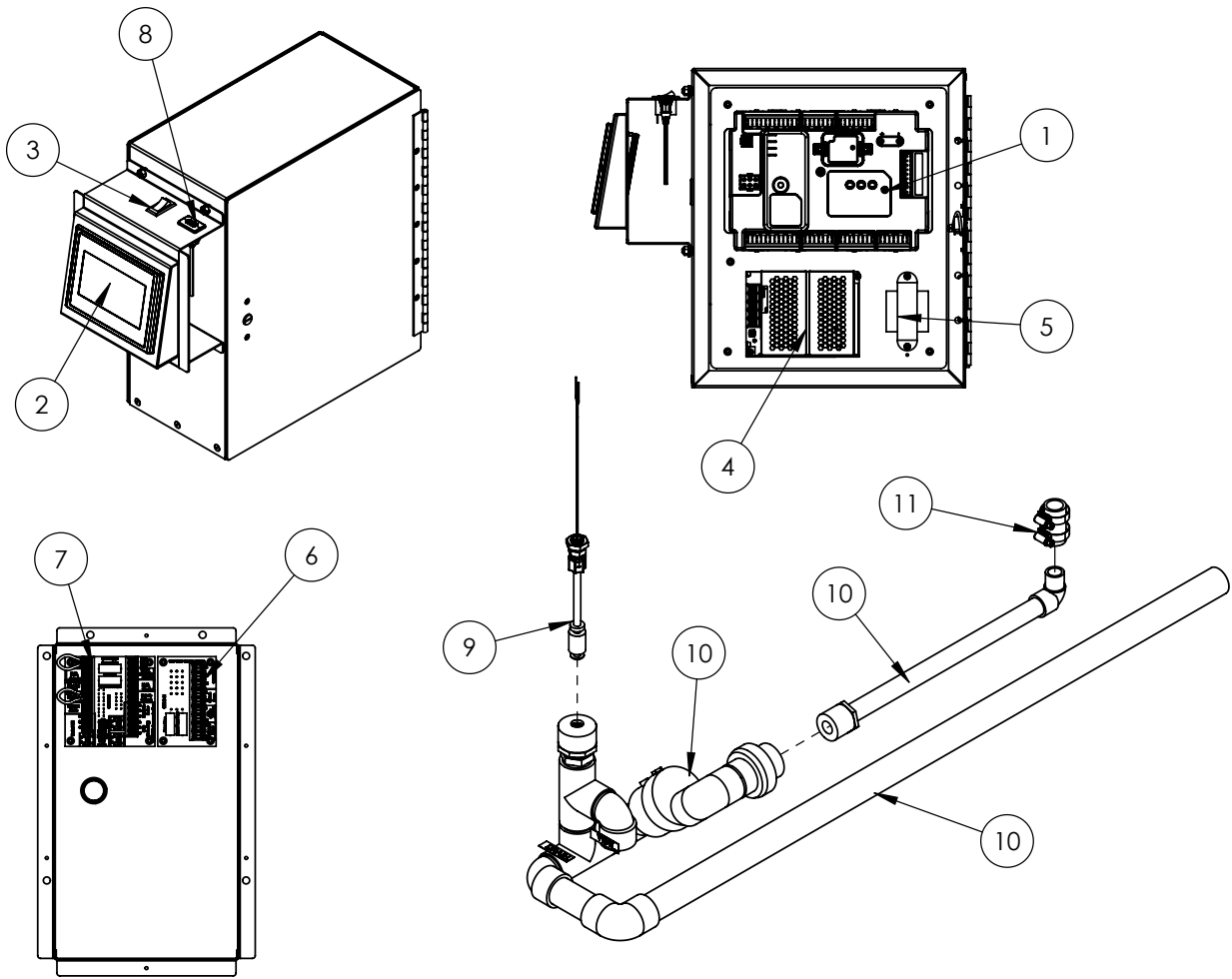


Table 4: AMP 400-1000L Electronics and Controls Part Numbers

Item No.	Descriptions	AMP Model Size				
		400	500	650	800	1000L
1	Main Boiler Control	112078-01				
2	Display (with hardware)	112077-01				
3	On/Off switch	112244-02				
4	Display Power Supply, 24VDC	112110-03				
5	24 VAC Transformer	112110-01	112110-02			
6	120V PCB	106512-01				
7	Low Voltage PCB	106513-01				
8	USB Type A Panel Mount	112244-01				
9	Block Condensate Switch	112121-01				
10	Condensate Trap/Switch Assy.	112071-06		112071-07	112071-08	112071-09
11	Condensate Line Tube & Clamps	112071-02				
12*	Air Proving SW	112052-03				
13*	Blocked Vent SW	112052-01	112052-02	112052-01		112052-02
14*	Low Water Cut Off	112062-01				
15*	Fuse Kit (Low Voltage & 120V PCB	105856-01	112054-01			
16*	Control Box Slide Rails (Pair)	112097-01				

*Not shown in drawing

Table 5: AMP 400-1000L Wire Harness Part Numbers

Item No.	Descriptions	AMP Boiler Model Size				
		400	500	650	800	1000L
1	120 VAC Wire Harness	112072-01				
2	24 VAC Wire Harness	112072-02				
3	Flow Switch harness	112072-03 (indoor harness), 112072-07 (outdoor connector adapter)				
4	Gas Valve Harness	112072-05	112072-06			
5	Ignition Harness	112072-04				

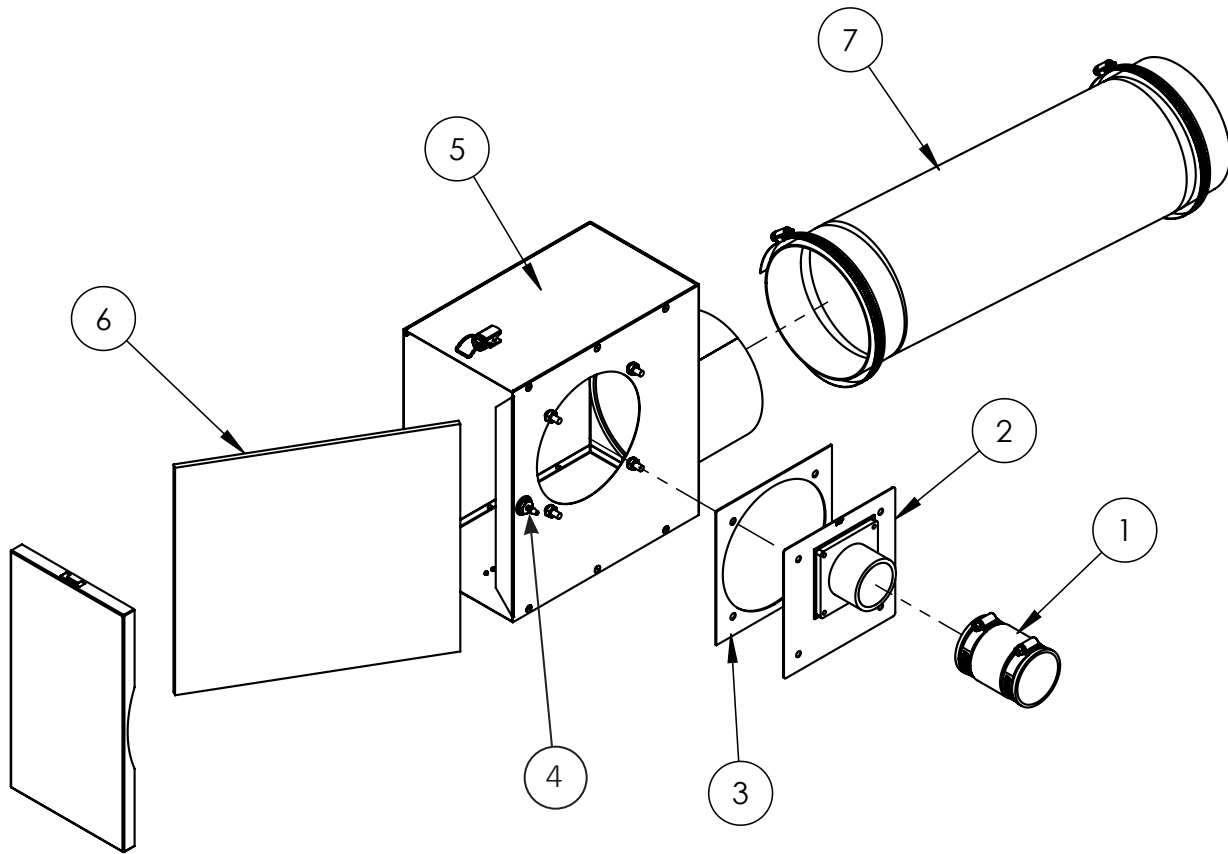
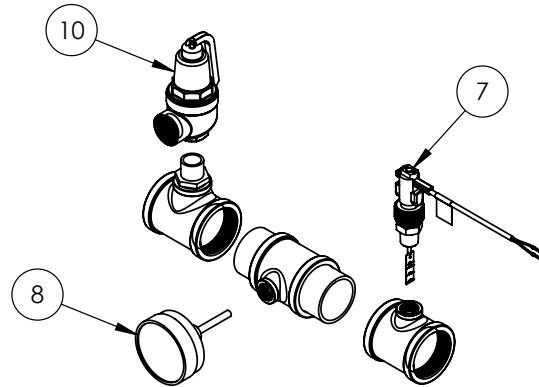
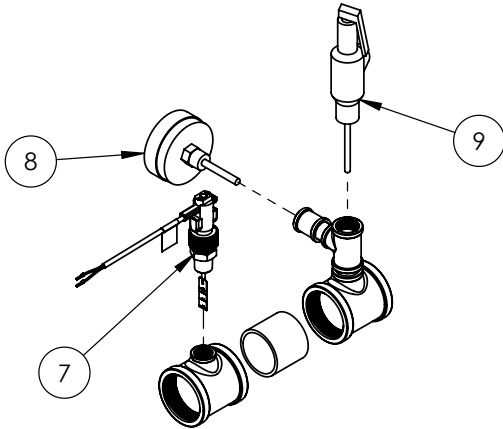
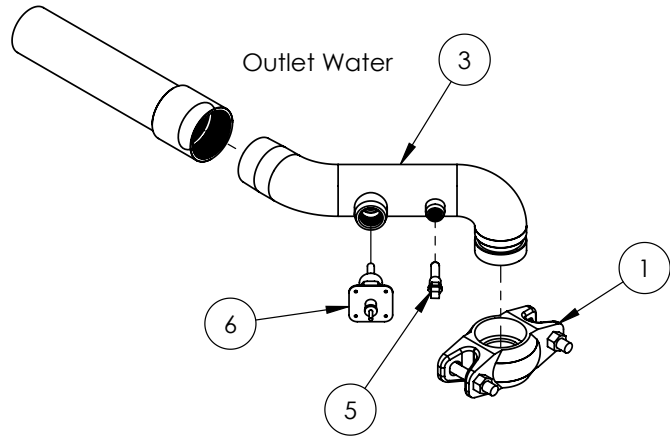
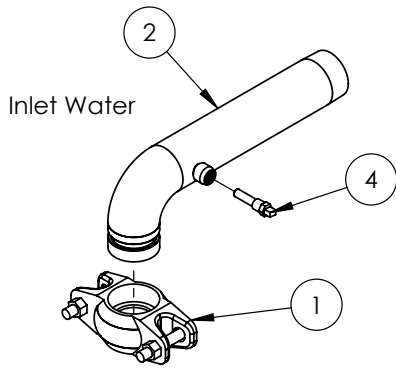


Table 6: AMP 400-1000L Combustion Air Intake Assembly

Item No.	Descriptions	AMP Model Size				
		400	500	650	800	1000L
1	Flex Coupling	112070-05		N/A		
2	Filter Box Adapter Assy.	112070-02		N/A		
3	Filter Box/Mixer gasket	112070-04				
4	Intake Signal Port	111010-01				
5	Filter Box Assembly	112070-01				
6	Intake Filter	112108-01				
7	Intake Flex Duct (& clamps)	112070-03 (38", Cut down to 22" for 400-500)				
8	Intake Duct Clamp	110426-01				



Water Heater Models

Boiler Models

Table 7: AMP 400-1000L Water Piping Assemblies

Item No.	Descriptions	AMP Model Size				
		400	500	650	800	1000L
1	Victaulic Coupling	112243-01				
2	Inlet Manifold	<i>Water Heater: 110148-01, Boiler: 110148-03</i>				
3	Outlet Manifold	<i>Water Heater: 110148-02, Boiler 110148-04</i>				
4	Inlet Temp Sensor	112061-01				
5	Outlet Temp Sensor	112061-02				
6	Low Water Cut Off	112062-01				
7	Water Flow Switch	112063-01 (indoor), 112063-02 (outdoor)				
8	T&P gauge (Water Heater)	103470-05				
	T&P gauge (Boiler)	103470-06 (30-60 psi RV), 103470-05 (75-150 psi RV)				
9	T&P Relief Valve (Water Heater)	112272-01				
10	Pressure Relief Valve (Boiler)					
	30 psi	112273-01		112273-02		
	50 psi (standard)	112273-03			112273-04	
	60 psi	112273-05			112273-06	
	75 psi	112273-07				
	100 psi	112273-08				
	125 psi	112273-09				
150 psi	112273-10					

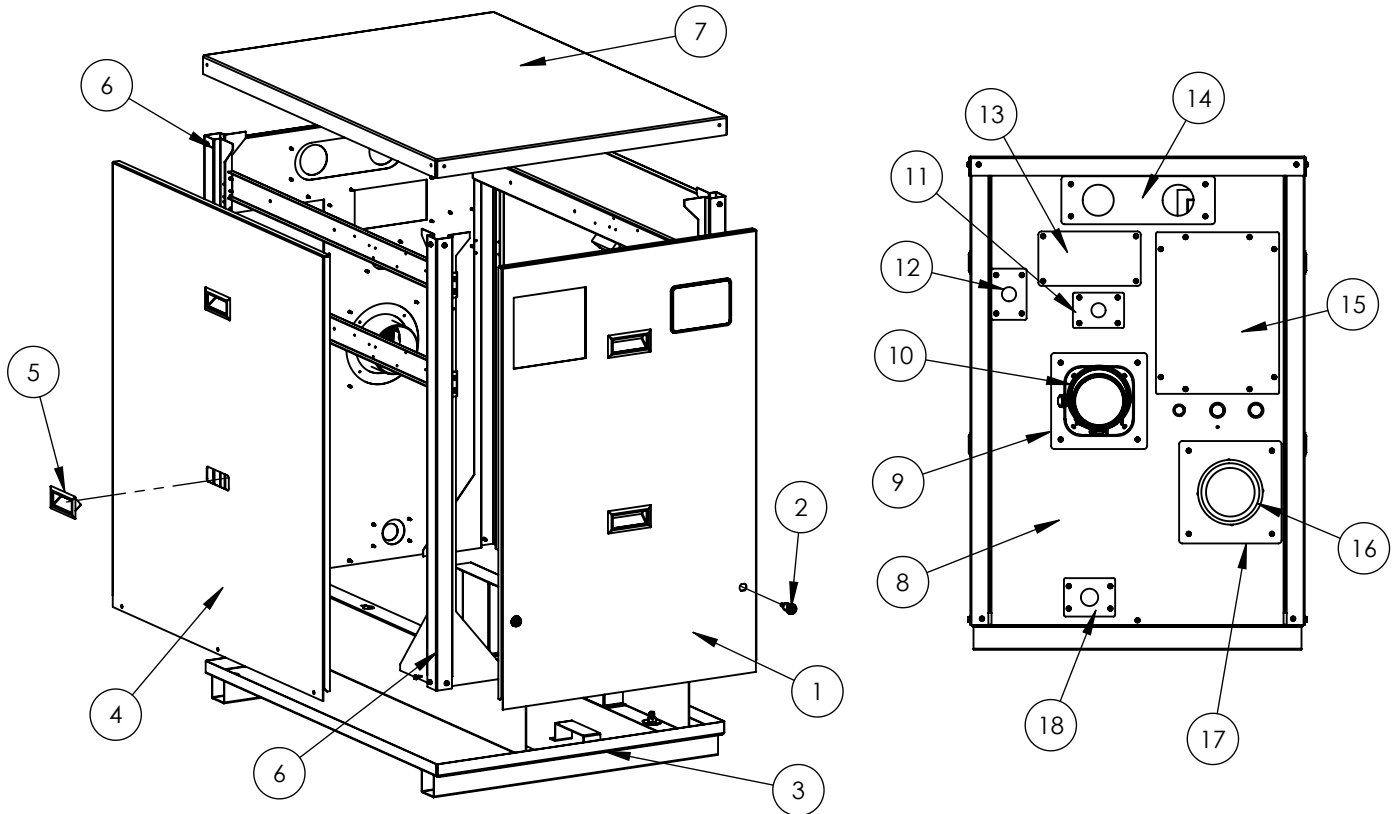


Table 8: AMP 400-1000L Jacket Part Numbers

Item No.	Descriptions	AMP Boiler Model Size				
		400	500	650	800	1000L
1	Front Panel	112099-05 (indoor), 112099-12 (outdoor)				
2	Front Panel Latch	112246-01 (indoor), 112246-02 (outdoor)				
3	Base Assembly	110175-02		110175-01		
4	Side Panel (indoor)	112099-21		112099-22		
	Side Panel (outdoor)	112099-26		112099-27		
5	Panel Handle	112246-03				
6	Corner Post	112099-01				
7	Top Panel	112099-02		112099-03		
8	Rear Panel	112099-23				
9	Vent Trim Panel	110531-06		N/A		
10	Vent Adapter	107034-02		109227-01		
11	Drain Trim Panel	110531-04				
12	Gas Train Trim Panel	110531-10		110531-11		
13	Access Trim Panel	110531-07				
14	Inlet/Outlet Trim Panel	110531-01				
15	Rear Control Box Panel	Panel: 110531-02, Gasket (pair): 112247-01				
16	Intake Adapter	107017-02		112070-06		
17	Intake Trim Panel	110531-03		N/A		
	Intake Cover (outdoor)	110531-09				
	Intake Panel Gasket*	112247-02		N/A		
18*	Control Mounting Rails	112099-24		112099-25		
19*	Rear Control Box Screw	101033-01				

*Not shown in drawing



P.O. BOX 3244
Lancaster, PA 17604-3244
Telephone: 717-239-7642
Fax: 877-501-5212
www.ThermalSolutions.com